



AKTORmed™
ROBOTIC SURGERY

Flexible assistance system
opens up new horizons



ENDOFIX **exo**

Passive support arm

Flexibility you need



| ENT Surgery



| Skullbase Surgery



| Thoracic Surgery



| Open Surgery

AKTORmed
www.aktormed.com

Flexible assistance system opens up new horizons



ENDOFIX *exo*

In modern ENT and Scullbase Surgery, Endoscopic Surgery is increasingly replacing Microscopic Surgery due to its multitude of advantages. This is not only because when the surgeon works endoscopically, his field of vision increases significantly and his working position becomes more ergonomic.

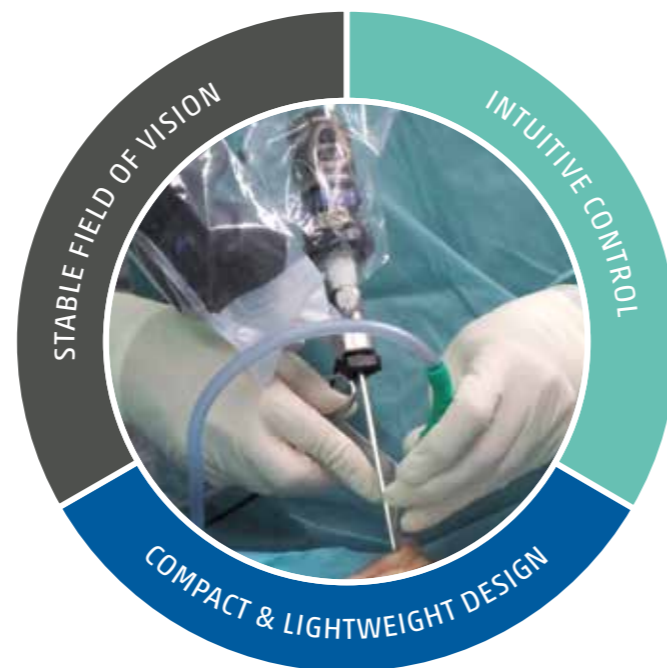
With the development of the ENDOFIX exo, an intuitively movable manual support arm is now available. It not only ensures the stable and sensitive positioning of the endoscope but also enables the surgeon to use one and/or two hands techniques, which has a positive effect on the surgical result.

Since the ENDOFIX exo can be used with both, the endoscope and the exoscope, it is the perfect assistant in Open Surgery.



Stable OP field of vision

- The system provides surgeons with a stable and rock-steady OP field of vision, even in extreme endoscopic and exoscopic positions.
- The wide scope of movement provides surgeons with full visibility of the OP site.
- The ENDOFIX exo allows surgeons to work with one or two hands without any limitations.



Fields of application

- | ENT Surgery
- | Scullbase Surgery
- | Thoracic Surgery
- | Open Surgery



Dynamic manual positioning

- At the push of a button, the arm can be moved and pulled into the required position. When the button is released, the arm is locked immediately, remaining in the set position.
- The UNLOCK BUTTON is located on the distal end of the arm in an easily accessible position.



Safe and sterile procedures

- The stable image allows surgeons to work in a more relaxed manner, maintaining a reliable view of essentials.
- Even extreme camera positions can be maintained for as long as required, which is a considerable advantage over manual camera control.
- The ENDOSCOPE CLAMP and CONTROL are auto-clavable. The device as such is covered by a single-use STERILE COVER.



Straightforward docking

- Docking to the operating table is extremely simple thanks to the quick-coupling device.
- After the surgical procedure is completed, the arm is hung onto a TROLLEY. The TROLLEY serves for the transport and storage of the ENDOFIX exo.



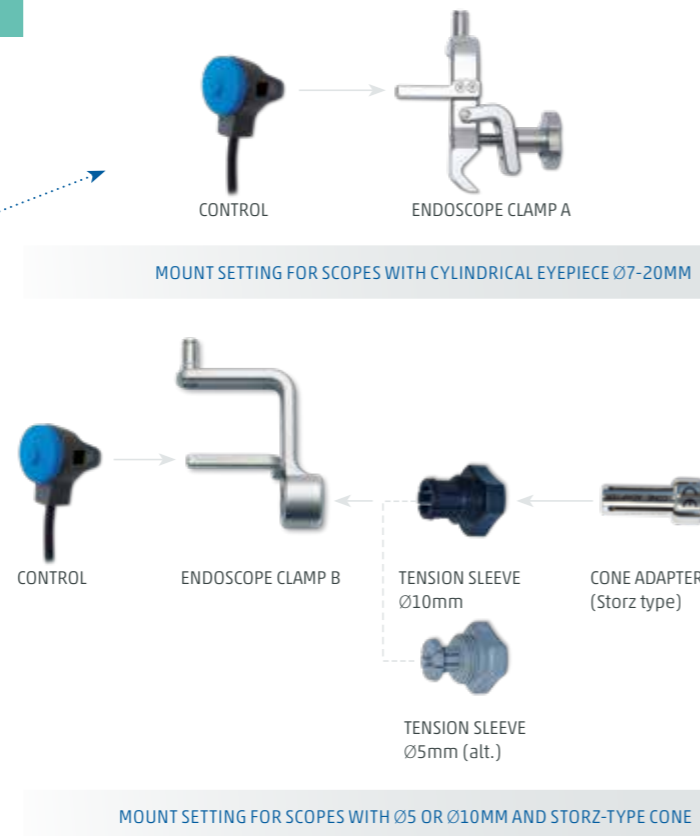


Optimum usability

In minimally invasive interventions, especially in ENT and Skullbase Surgery, the surgeon prefers to work with both hands. The CONTROL is designed for an intuitive and ergonomic operation of the ENDOFIX exo.

The CONTROL can be connected to the ENDOSCOPE CLAMPS in reach of the surgeons hands. The CONTROL as well as the ENDOSCOPE CLAMPS are designed to be reprocessed.

Controlling the ENDOFIX exo



Selected components and accessories

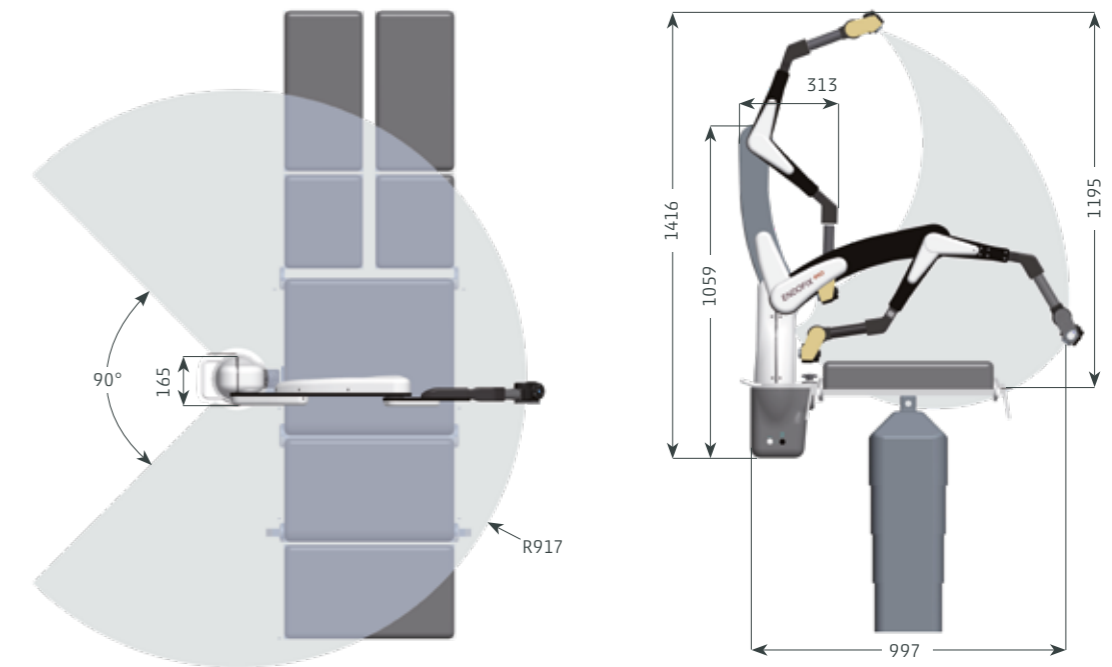
Article number	Designation	Content
<i>ENDOFIX exo</i>		
171912	ENDOFIX exo SET	<ul style="list-style-type: none"> 1 ENDOFIX exo(171943) 1 TROLLEY(120874)
171909	BUNDLE exo CONTROL	<ul style="list-style-type: none"> 1 CONTROL(171906) 3 STERILE COVER PU/50 ea(110084)

Movement space

All dimensions ± 5mm



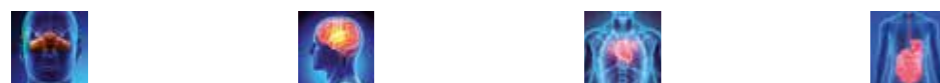
Demo film ENDOFIX exo



Technical data

Feature	ENDOFIX exo
Approval	CE (class I)
Supply voltage	100 - 240 Volt, 50 - 60 Hz
Max. power consumption	60 VA
Size	291 x 167 x 1059 mm
Weight	12.4 kg
Safe working load	1 kg
Lockable axis	6
Endoscope size	5 to 12.7mm, <5.3mm with adapters
OR table adaption	Quick fastener, suitable for OR tables with European and US size rails, UK rails with additional adapters
Main application fields	<ul style="list-style-type: none"> • ENT Surgery • Skullbase Surgery • Thoracic Surgery • Open Surgery

ENT Surgery | Skullbase Surgery | Thoracic Surgery | Open Surgery





Benefits for the surgeon

- Stable positioning of the endoscope/ exoscope to obtain a steady image**
 Thanks to its structure, the ENDOFIX exo is stable and vibration-free. It does not shake or tilt the horizon, enabling fatigue-free work.
- One and/or two hand techniques welcomed**
 The ENDOFIX exo enables the surgeon to use one and/or two hands techniques.
- Precise endoscope positioning**
 You determine the image yourself. Positioning is precise and sensitive.
- Unhindered access to the patient site**
 The ENDOFIX exo supports the endoscope/ exoscope from above, leaving ample room for your instruments. There is no need to alter your normal workflow.
- Straightforward and intuitive operation**
 The human hand is the most precise tool at our disposal. Manual work can be performed intuitively without mental stress. That is why you control the ENDOFIX exo by pushing a soft control knob that adjusts the movement of the endoscope/ exoscope progressively in a sensitive way.
- Straightforward handling; ready to operate in just a few minutes**
 Straightforward and quick set-up and disassembly. The ENDOFIX exo is attached directly on the operating table and covered with a STERILE COVER while the patient is being prepared for surgery.



Benefits for the clinic

- ENDOFIX exo - enhancing your clinic's image**
 As a clinic operator, you are today increasingly faced with competition for patients and qualified personnel with other clinics and hospitals. In addition to medical competence, a modern and positive image is one of the most important competitive advantages. Document your leadership in terms of innovation by introducing robotic-assisted surgery.
- Enhanced scheduling efficiency**
 The ENDOFIX exo is always available to provide assistance, even outside normal working hours.
- Compatible**
 The ENDOFIX exo is compatible to most common operating tables and endoscopes, thus protecting your investments. The set-up and dismantling can be performed parallel to the usual workflow, not adding to operating time.
- Cost-efficient**
 The ENDOFIX exo is completely maintenance free. Thanks to a flexible concept of autoclavable components, the ENDOFIX exo is immediately ready for the next surgical intervention. The expenditure for disposable STERILE COVERS is negligible.

Put us to the test!
 We would welcome the opportunity to visit you and provide you with a device for a free and non-binding trial.



Inquiry form

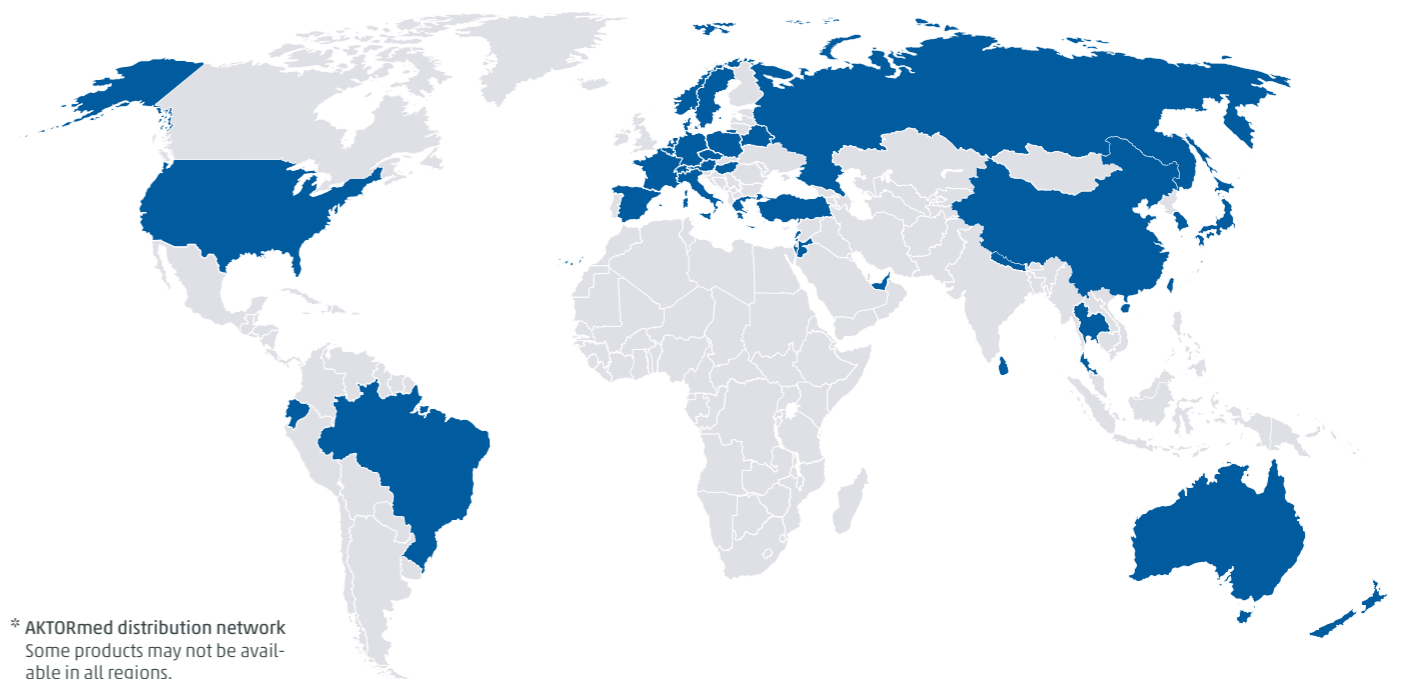


This is who we are

We have been providing unparalleled solutions to our customers for more than 20 years, supporting surgeons worldwide in minimally invasive surgery.

Minimally invasive techniques have a long surgical tradition. Robot-assisted surgery completes them and brings them to perfection. Our assistance systems enable surgeons to perform minimally-invasive procedures with a high degree of precision, profiting from a maximum relief of their workload.

Thanks to our above-average outlay for development, our superior know-how and a large cooperation network, we create innovative products of highest precision. In order to achieve such a supreme performance, partnerships are essential. In cooperation with a steadily increasing network of qualified sales partners*, we supply and service clinics worldwide. We consider our customers as partners with whom we strive to be successful together, our object being long-term cooperation rather than short-term profit.



* AKTORMED distribution network
 Some products may not be available in all regions.



AKTORmed and SOLOASSIST are registered trademarks of AKTORmed GmbH.



Developed and manufactured by

AKTORmed GmbH
Neugablonzer Straße 13
93073 Neutraubling, Germany
Phone: +49 (0) 9401 9320-110
Fax: +49 (0) 9401 9320-115
E-Mail: sales@aktormed.com

Distributed by

AKTORmed
www.aktormed.com